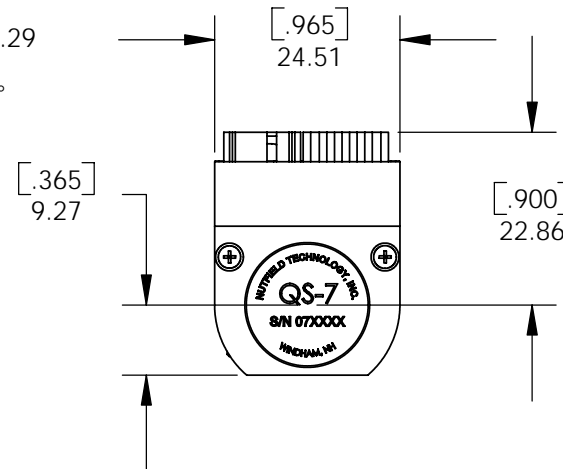
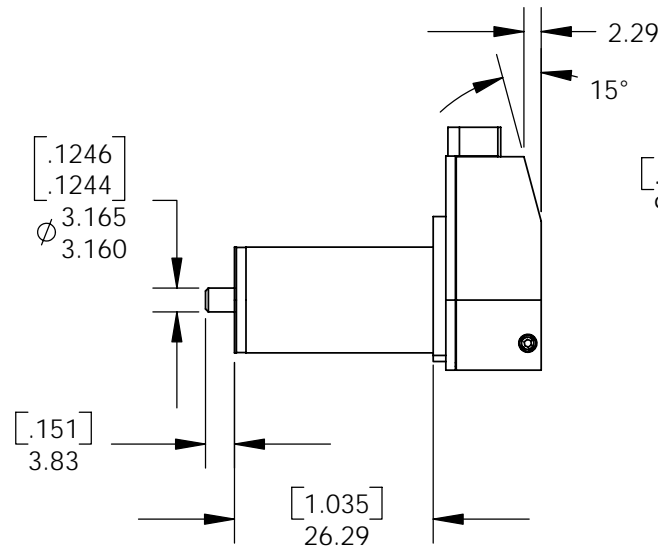
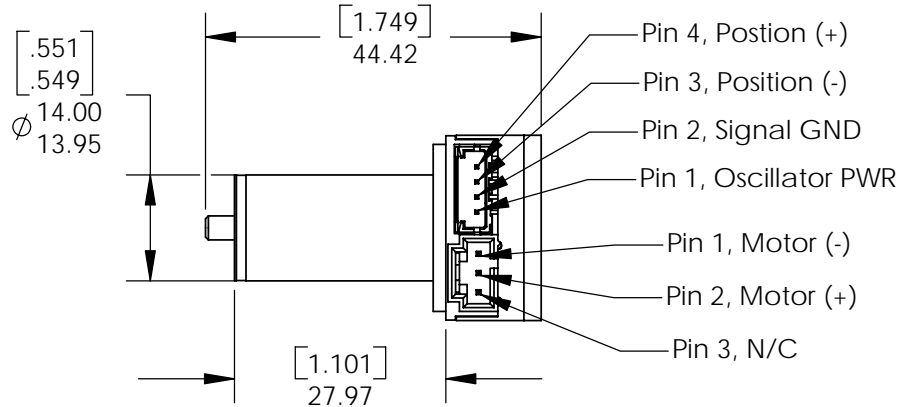
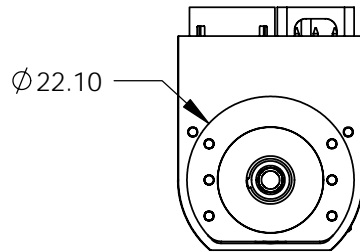
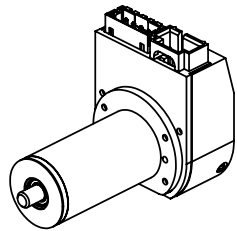
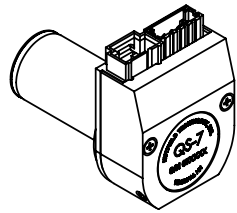


NOTICE - PROPRIETARY INFORMATION
 THE DESIGN AND RELATED INFORMATION CONTAINED HEREIN IS THE SOLE PROPERTY OF NUTFIELD TECHNOLOGY, INC. THE DISCLOSURE OF THIS INFORMATION DOES NOT CONSTITUTE THE RELEASE OF ANY PROPRIETARY RIGHTS THEREIN. PERMISSION TO REPRODUCE THIS INFORMATION OR THE PRODUCTS DISCLOSED HEREIN MUST BE OBTAINED IN WRITING FROM NUTFIELD TECHNOLOGY, INC.

REVISIONS

REV	DESCRIPTION	APP	DATE
4	Revised Position Detector Housing	wad	12/21/03



Position Detector Connector:
 Molex 53324-0400
 Mating Connector: Molex 51090-0400
 Terminals: (24-30 AWG)
 Molex 50212-8000 (Reel)
 Molex 50212-8100 (Loose)

Motor Connector: Molex 70553-0002
 Mating Connector: Molex 50-57-9403
 Terminals: (24-30 AWG)
 Molex 16-02-0082 (Reel)
 Molex 16-02-0082 (Loose)

Notes:
 All Dims in mm unless otherwise noted

Nutfield Technology, Inc. 1 Wall Street, Suite 113 Hudson, NH 03051, USA					
TITLE Outline Drawing, Scanner, QS-7					
SIZE A	SHEET 1 OF 1	DRAWN BY b.d.	DATE 12/17/03	DWG NO. 80-0074	REV 4